

## Calendar

### DPWW Regular Meetings

Usually the Third Monday at  
[St. James in Glen Ellyn](#)

**Will be in person also via  
Zoom until further notice**

- **January 15, 2024**
- **February 19**

### DPWW Board Meetings

Usually First Monday via  
Zoom

- **February 5**
- **March 4**

### Future Activities

- **February 3, 9:00 AM**  
[Sawdust In Your Coffee](#) Zoom
- **February 17**  
[Milwaukee Woodworking Show](#)

### Programs

- **January 15 2024**  
– [Bill Boyle - Building a Chair](#)
- **February 19, 2024**  
– [Jason Morasi](#), pressure wood stabilization



## President's Message - January 2024

Welcome to 2024! **Jeff Kramer** has lined up a very interesting program with [William Boyle doing a demonstration on chair building](#). Many of us have made a lot of rectilinear projects. This is an opportunity to see some curves being made. William will be incorporating some steam bending in his demonstration. Chairs are one of the more complicated projects to construct. This is a great opportunity to see an expert at work.

Our Holiday party was another success. A lot of conversation in a casual setting with great food made for a very enjoyable evening. For those unable to attend you missed a great chance to meet your fellow woodworkers and get to know them better. Please try to make it a priority next year to attend and have a good time.

It is never too early to start making toys for our 2024 Christmas Holiday toy drive. I have scheduled our next toy workshop at [Woodcraft in Woodridge](#) for Saturday, April 27. Please see the [toy section of the newsletter](#) for additional information.

Even though our next meeting is scheduled on Martin Luther King Day we will still have access to St. James. Unlike last year when I was unable to get keys to the church on MLK Day I will be able to get them the Friday before our meeting.

I hope you are getting time in your shop. Look forward to seeing you on January 15!

**George Rodgers 708-623-9038 [GLRodgers@comcast.net](mailto:GLRodgers@comcast.net)**



## **DuPage Woodworkers Board Meeting January 3 2024**

**George Rodgers** opened the Zoom meeting at 7:00 Present were Gordon Brand, Jim Harvey, Bill Hoffman, Michael Kalscheur, Bruce Kinney, Jeff Kramer, Tom Kubica, Bruce Metzdorf, Lee Nye, Howard Peterson, Harry Trainor, Dave Wesolowicz, Mark Wieting, Steve Young.

**Agenda Additions, Changes and Approval** – No additions or changes. December minutes were approved.

**Treasurer's Report: (Dave Wesolowicz)** – A brief summary of the financial status was given. Changes in year-to-year accounts were explained on the spreadsheet Dave had distributed to the Board previously. We need to do our annual filing with the state and we need to have our annual member audit of the finances.

**Secretary's Communication (Steve Young)** – None.

**President's Communication (George Rodgers)** – George reported that he and **Wayne Maier** visited St. James to make some requested modifications to a tabernacle stand at the request of the church.



## Standing Committee Reports:

**Membership (Mike Kalscheur)** – Membership has steadily increased. We had four new members join last month. Our total membership is now at 221, an all time high. Currently, about 70% of the members have renewed for 2024. That leaves approximately 60 households yet to renew.

**Library (Tom Kubica)** – Two members responded to the offer of the set of Fine Woodworking magazines. The magazines have now been taken. A non-member had contacted Tom with another set of magazines that he was looking to donate. **Mark Wieting** also reported having a prospective book donor. Tom indicated that he will be adding a number of books to the library list in the near future that were previously given to him.

**Prizes (Bruce Kinney)** – January raffle prizes are ready to go with a Milwaukee impact driver as first place and a set of Forstner bits for second place.

**Publicity (Mark Wieting)** – Mark recapped recent publicity the club had received beginning with the CBS video of the toy making program. The video was aired on television and can be [seen on our website](#). An article was also published in the [Lombardian newspaper](#).

**Toys (George Rodgers)** – The [next toy workshop](#) will be Saturday, April 27th, at the Woodcraft store in Woodridge.

**Newsletter (Jim Harvey)** – Articles for the upcoming newsletter are needed by this Friday, January 5th. There is not a great deal of material for this newsletter at this time. Some holiday party pictures will be included, and a new feature called “[Inspiration of the Month](#).” **Mark Wieting** will provide some pictures of woodworking from Hawaii.

**From Our Workshop (Lee Nye)** – We still have three of the 1 handed clamps for presenter prizes.

**Activities (Jeff Kramer)** – An email was sent to [Raw Heartwood](#) of West Chicago to arrange a visit. No response has yet been received. February has the Milwaukee Woodworking show.

**Programs (Bruce Metzdorf)** – January will feature a chair making program. **Jason Morasi** will present pressure wood stabilization in February. **George Rodgers** will present a program on building splined boxes in March. April is still open. May will feature a program on vacuum/pressure tables by **Mark Osgood**.

**A/V (Howard Peterson)** – We are looking to purchase a Sony CX405 Handycam to assist in the video presentations. If this does not work out, it will be returned.

**Web (Bill Hoffman)** – Web updates have mainly been completed. We are looking to potentially migrate to WordPress (a web content management system) in 2024. We need current information on activities and programs to be posted on the web.

## Old Business:

**a. New camera** – Discussed in Audio Visual

**b. Church coffee** – George has spoken with the church, they prefer that we simply replenish coffee and not reimburse them for it.

## New Business:

**a. Newsletter minutes- financial reporting** – It was agreed that detailed financial information need not be published in the newsletter. In situations in which financial information is included in the meeting minutes, **Jim Harvey** will summarize for the newsletter.

**b. Constitution / Bylaws Review** – The Board’s annual review of the bylaws led to a discussion of the process for amending the document. Otherwise, no changes.

**c. Holiday party discussion** – Overall, the comments were favorable regarding this year’s holiday party. **George Rodgers** will investigate booking the restaurant again for this year.

Adjournment – 8:10pm

– **Steve Young**

## Dupage Woodworkers Board Meetings

Any member is welcome to attend our monthly board meetings. These are normally the first Monday of the month at 7:00 PM, currently conducted via Zoom. Member input is always welcome. Please email [webmaster@dupagewoodworkers.org](mailto:webmaster@dupagewoodworkers.org) to be included on the Zoom invite list.



## Logo Clothing



Welcome to all DPWW members from our DPWW clothing store. Stop by at my display location during the Monday meeting for introductions. We started with the green polo shirts and tan hats with the embroidered DPWW logo. We added the long sleeve T shirts with the embroidered DPWW logo. It has been suggested that we offer a fleece jacket with front zipper. Let me know if this or any other item would be of interest. Enjoy the Winter, and attend events wearing your DPWW shirts and hats.

Thanks, - **Carl Shaffer 630-251-3106**

## Community Involvement

These are pictures of the tabernacle stand at St. James being revised January 2nd to remove the top piece. Fr. Keith Wolfe did not like having to bend down to see into the tabernacle to remove the chalices stored within. He wanted the top removed. **Wayne Maier** made walnut cap pieces to hide where the uprights holding the top attached to the stand. This matches the Altar steps which are oak with walnut tread noses. The top was attached with nails. A multitool was using to saw through the uprights flush with the tabernacle stand. Hand tools were used to remove any remaining pieces so the walnut caps would sit flush. The walnut caps were attached with epoxy and pin nails. – **George Rodgers**



Before



During



After

## January 2024 DPWW Meeting

The featured speaker for January is **Bill Boyle**. Bill makes [many styles of Windsor chairs](#). His workshop is in Belvidere and he offers a limited number of classes. Our Dupage Woodworkers meetings are at [Saint James Church in Glen Ellyn](#). Please park in the South parking lot.

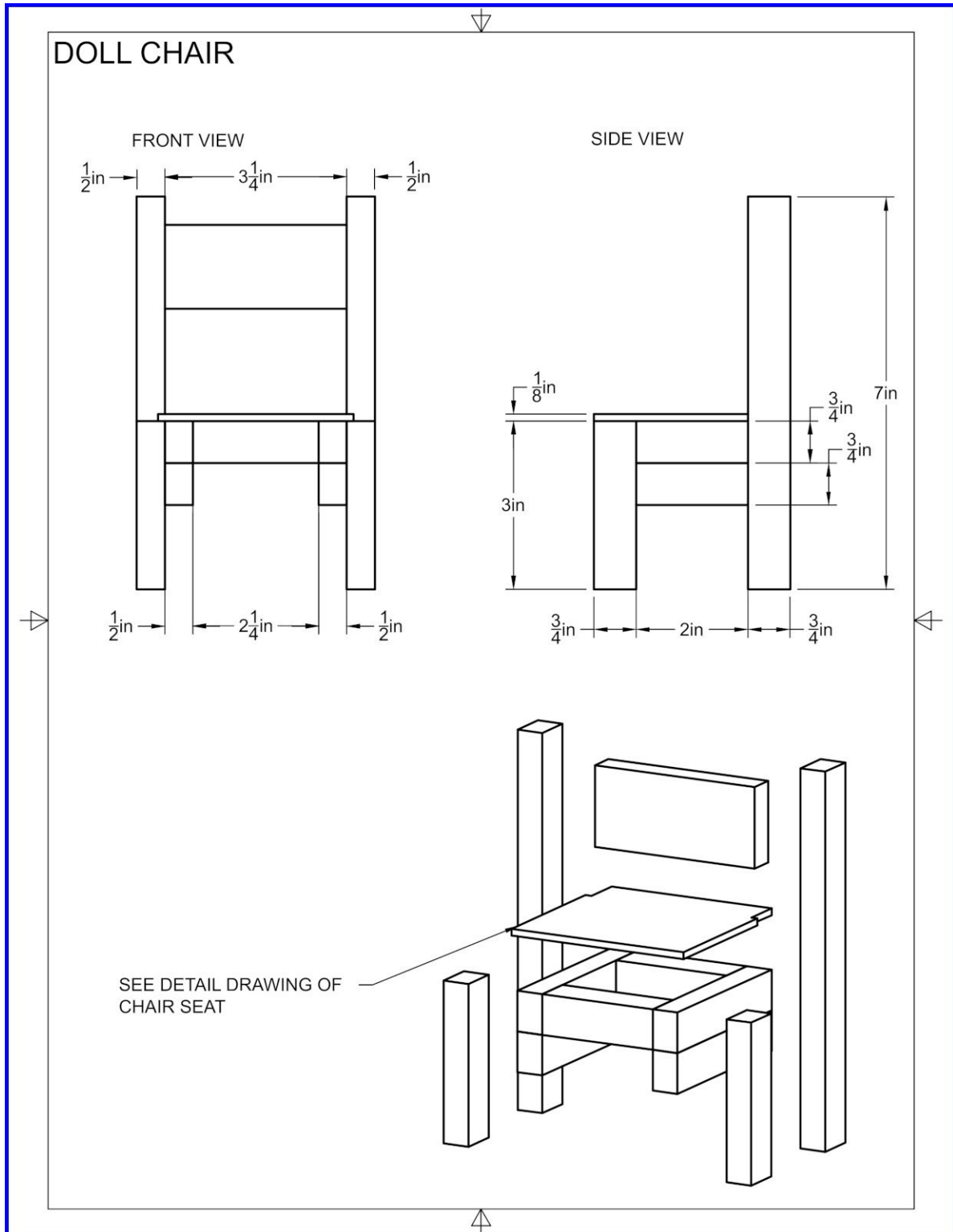
– **Bruce Metzdorf**





## Toy of the Month Doll Chair

DPWW member **Wally Schmidt** made a set of Barbie sized doll furniture and contributed detailed plans. Click the image below for a photo and more details.





## Membership News



Four new members were added to the membership roster within the last month. That increase boosted the total membership to 221. All four new members learned about DPWW from friends. Please welcome these members listed

below at future meetings and activities.

- **Joe Latrofa** from Glendale Heights
- **Robert Romanski** from Wheaton.
- **Matt Manzella** from Glen Ellyn.
- **Renny Seiwert** from Des Plaines

### **2024 Membership Renewal**

Over 70% of the current members have already renewed their DPWW membership by submitting dues for the 2024 year. A kind reminder to submit your \$30 dues payment before March 1st. The procedure for renewing your membership is found on this web page below. Members who have not paid annual dues by 3/1/2024 are removed from the roster list.

<https://dupagewoodworkers.org/membership/renew/renew.php>

If you don't recall whether or not you've renewed for 2024, just ask before sending more \$ for dues. Other cash donations to DPWW organization are always welcomed. Those bills must be paid.

**Mike Kalscheur**  
[membership@dupagewoodworkers.org](mailto:membership@dupagewoodworkers.org)

## Upcoming DPWW Activities



Here are the scheduled activities for the first five months of 2024.

**January:** There is no activity scheduled for

January.

**Saturday, February 17, 2024:** The [Milwaukee Woodworking Show](#) – Click on the link to learn more about the show. There are discount admission coupons available on this site. We will meet at a nearby restaurant for breakfast around 8:30/9:00 AM and then go to the show which opens at 10:00 AM.

**Saturday, March 16, 2024:** Visit to [Raw Heartwood](#), West Chicago, IL. Raw Heartwood is a sustainably sourced lumber retail and woodworking shop. We will meet there at 10:00 AM.

**Saturday, April 27, 2024:** [Toy Workshop](#) from 9:00 AM to 3:00 PM at the [Woodcraft of Woodridge](#) store at 7440 Woodward Ave Ste A107, Woodridge, IL 60517.

**Saturday, May 18, 2024:** Progressive Shop Visits (Glen Ellyn area). If you have a small shop and are interested in being a host for this event, please contact **Jeff Kramer** at [Kramer123@hotmail.com](mailto:Kramer123@hotmail.com)

Sign-up links and details will be provided as each event approaches.

– **Jeff Kramer**

## Coffee Makers

Gotta have coffee at the DPWW meetings! Thanks to **Mary Olson** and the others who pitched in at the November meeting!

Anyone is welcome to make coffee. Just arrive a little after 6:00 and join the fun with others preparing coffee, cookies, and cleanup afterwards.





## Community Involvement

Two more items donated to Saint James for their November School Auction.

These are items I made, which they then decorated for the St. James school raffle that took place in early November.

The kindergarten students placed their painted handprints and then one of the mothers made them into different animals on the step stool. *Whit Anderson* engraved the school logo on the cross. I then glued the different



pieces to a backer board suitable for hanging and applied a lacquer finish to the cross. – **George Rodgers**



## A Cry for Help

Walking through Menard's, I saw a stack of edge glued pine boards, 5/4 x 12" x 48". One had only a trace of two small knots. I had to have it. Eight bucks.

Now I don't know what to make out of it. Please help. I'm open to all suggestions! If need be, I could buy another one, but ideas on making something useful out of one board appeals to me—sort of like the “one board challenge” DPWW had some years ago.

If you have an idea—or several—please email me at [mark.wieting@gmail.com](mailto:mark.wieting@gmail.com). The idea I move forward on will be fully credited. Thanks for considering this tale of love at first sight.

– **Mark Wieting**

## Library notes

Stop by the Library table this month to browse new arrivals to the collection ready for check out.

Also, as reminder, come by each month to see a selection of books and DVD's relevant to the evening's presentation.

You can also browse by accessing the library at <https://libib.com/u/dpww> or through the DPWW website: <https://www.dupagewoodworkers.org/>.

You can search by topic or author. Once you have found something that you would like, you can place a hold on it by clicking on the book's title page then clicking on “Add hold.”

We will have it pulled for you to finish the check out. – **Tom Kubica**



## October Door Prizes

Door prizes this month will be:

- Milwaukee Drill Driver/ Impact Driver Combo-Kit
- 7 pc Forstner Bit Set Plus \$10 Woodcraft Gift Card



Tickets are \$2 for 1, \$5 for 3, \$10 for 7, \$15 for 11, \$20 for 15.

– **Bruce Kinney**





## Borrow DPWW Tools

One benefit of being a member of the DuPage Woodworkers is that we have tools you can borrow. Our Work Sharp has been upgraded with a knife and scissor sharpening attachment. Also DPWW now has a Performax 12" planer, an HVLP sprayer, and a small bandsaw. The scroll saw, moisture meter, **metal detector**, Work Sharp, planer, sprayer, bandsaw, and Drill Doctor are available to DPWW members by contacting **Wayne Maier 630-303-1341**.



## Toy Makers Workshop

DPWW and [Woodcraft \(75th St. and Woodward Ave. in Woodridge\)](#) will be hosting a toy making workshop on Saturday, April 27 from 9am to 3pm. We are hoping to have people contribute some of their time to helping bandsaw, drill, route, sand and assemble toys for our annual Christmas Holiday give-a-way program. The plan is to have people come for the morning (9am to noon) and/or afternoon (noon to 3pm) session. If you can't contribute 3 hours even just an hour or two will help. We will be making toy doll beds and vehicles.

For those unable to make the workshop but still wanting to contribute toys we have wheels and axles. We will have these available to pick up at the January DPWW general meeting. We also have patterns and directions for making toys which are available at each general meeting. If you only have some equipment such as just a drill press, etc. we can always use help completing part of the project or help with assembly. Pick what you feel comfortable doing. Any help is appreciated.

For those without equipment at home to make toys remember that the club has a drill press and scroll saw to borrow.

Last year we made over 3000 toys! Let's keep it up!

– **George Rodgers**

## Internet Link Of The Month

### **How Hard is That Wood?**

Having trouble working that piece of exotic lumber you got from Owl Hardwood? Wood hardness is usually stated in Janka units. This is the amount of force required to press an 0.444" steel ball into the material. Read about Janka testing here:

<https://www.tylerbrownwoodworking.com/articles/janka-hardness-scale-explained-complete-wood-ratings>

Here is a table of almost 300 species of wood showing their measured Janka hardness:

[https://www.precisebits.com/reference/relative\\_hardness\\_table.htm](https://www.precisebits.com/reference/relative_hardness_table.htm)

The hardest wood on the planet may be Australian Buloke at a Janka of 5,060 ( 2 ½ Tons!), per this source:

<https://www.hitchcockandking.co.uk/h-k-news/top-10-hardest-woods-world/>

The softest listed wood in common use is Balsa at Janka 90. Who remembers balsa model airplanes?



## 2023 Holiday Party

This year our annual party was again held at Reserve 22 in Glen Ellyn. The food was very good. We enjoyed seeing what other people brought for the gift exchange and the appreciation by the spouses when they got to select their gift. Most of all we enjoyed good conversation and the joy of being with our fellow woodworking friends.

Newsletter Editor **Jim Harvey** was awarded a Life Membership in the Dupage Woodworkers.

– **George Rodgers**







## Sawdust In Your Coffee



**Sawdust in Your Coffee** is our Zoom-based monthly discussion of wood related subjects. Topics discussed by the 15 people at the January 6 session included:

- Review of club outings.
- New member with CNC machine looking for past experiences
- Searching for Formica sources.
- Christmas toy reviews.
- Review spalted Maple table.
- Dresser project plywood delamination.
- Removing bark on large "cookie".
- CNC cut and epoxy inlay wall hangings
- Milk paint experiences.
- Allergies to lumber dust.
- Identifying hotel wooden columns.

There will be another Sawdust in Your Coffee meeting at **9:00AM on Saturday, January 6**. Bring your questions, your progress, and/or your coffee. Expect the usual EMail Zoom invitation.

— **Ron Colliander**



## Inspiration Project of the Month

**Christina Von Mohrenschildt, french wood artist, marquetry master**

### Mentors

With the wide range of woodworking experience among DPWW members, some are willing to act as mentors or trusted counselors in various categories of woodworking. Look for the “**Mentor list**” found on the [Members-Only](#) page of the website for member help on a specific woodworking topic. You might find another member who is willing to assist. If you have some unique woodworking expertise and are willing to mentor other members, contact **Mike Kalscheur** at [membership@dupagewoodworkers.org](mailto:membership@dupagewoodworkers.org) or at one of our meetings, who will add your name and talent to the Mentor List.

## About From Our Workshop

FOW is an important part of our DPWW meetings and we love to see what other members have made and hear about details of their work. Even though our meetings are both in-person at St. James, and broadcast via Zoom, please continue to submit photos online, even if you plan to bring your project to the in person meeting. You can find [the online form](#) under the [members only tab](#) on our web site. The Google form asks for your name, for project info like in the above pictures, then allows for uploading up to three image files. Your photos on screen at the meeting and on Zoom give everyone a better view of projects that our video cameras can see. Whether in-person or on Zoom, you can speak about your project when called upon.

Please continue to bring your projects to the in-person meetings so we can see them before the meeting and during breaks. There will be a drawing at the January meeting for FOW prizes to those who attend in-person. If you need assistance submitting project photos, contact:

— **Lee Nye** [woodworkerlee828@gmail.com](mailto:woodworkerlee828@gmail.com).



## 2024 Holiday Party Gift Exchange

It's traditional at our annual Holiday get together to have a gift exchange for our guests. Participation is entirely optional. Items are shown at the party anonymously, tickets are issued to the participating guests and then randomly drawn one at a time. The ticket holder gets their choice of the projects on the gift table.

These are photos of gift projects that were brought to the 2024 Party. Click on the image for a larger view at the DPWW web site.





## From Our Workshop - January 2024

There **WILL** be a From Our Workshop at the January meeting. Bring your November, December, and January projects to catch up. With our meetings held via Zoom and in person, if you can, submit photos of your projects to Mike Perry and Lee Nye via [Google Forms](#). Even if you can't attend in person, your submitted projects will be featured during the next monthly meeting "From Our Workshop" session, and will be included in next month's newsletter. FOW chairman *Lee Nye* has three prizes that will be randomly drawn for projects brought to St. James.