

Doll Furniture

Three Drawer Chest



Three Drawer Chest Notes:

Chest:

The back of the chest is made from 1/8" plywood. Except for the feet, everything else is made from 3/8" stock. The feet are made from stock pieces available at stores like Woodcraft and Rockler (try looking in the area of "screw plugs"). In the drawings, the feet are 1/2" in diameter. You may vary a bit from that depending upon what you can find in stock.

Drawers:

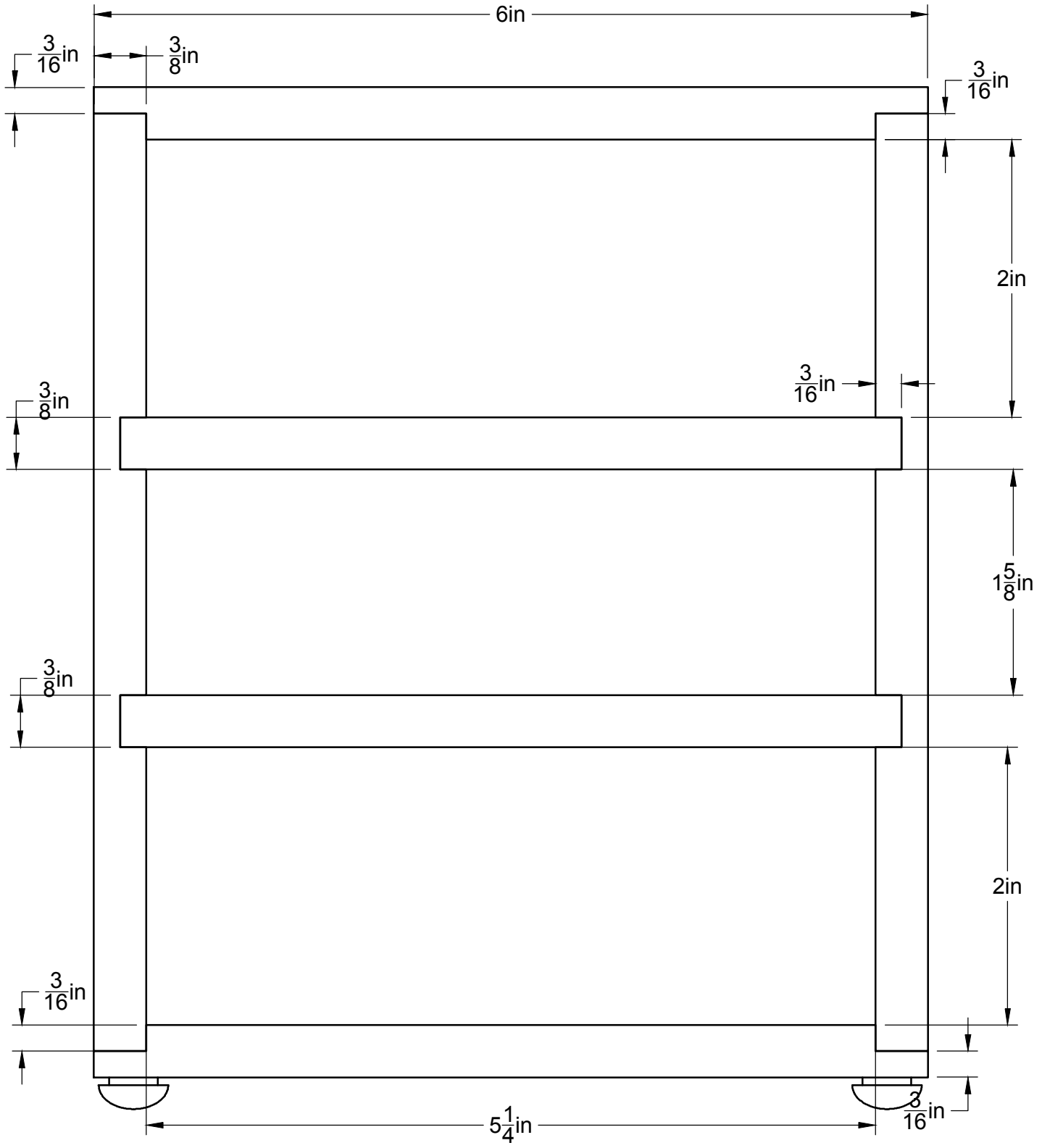
The drawer bottoms are made from 1/8" plywood. The knob as shown is about 1/4" diameter. As with the feet you may find a ready made piece in the area of screw plugs at your favorite supplier. The rest of the drawer pieces are 3/8" stock.

Errors:

Every effort has been made to avoid errors in these plans. Still, sometimes mistakes occur. If you find errors in these plans, please notify the toy chairman so that corrections can be made and the next person spared having to deal with that problem. Thanks.

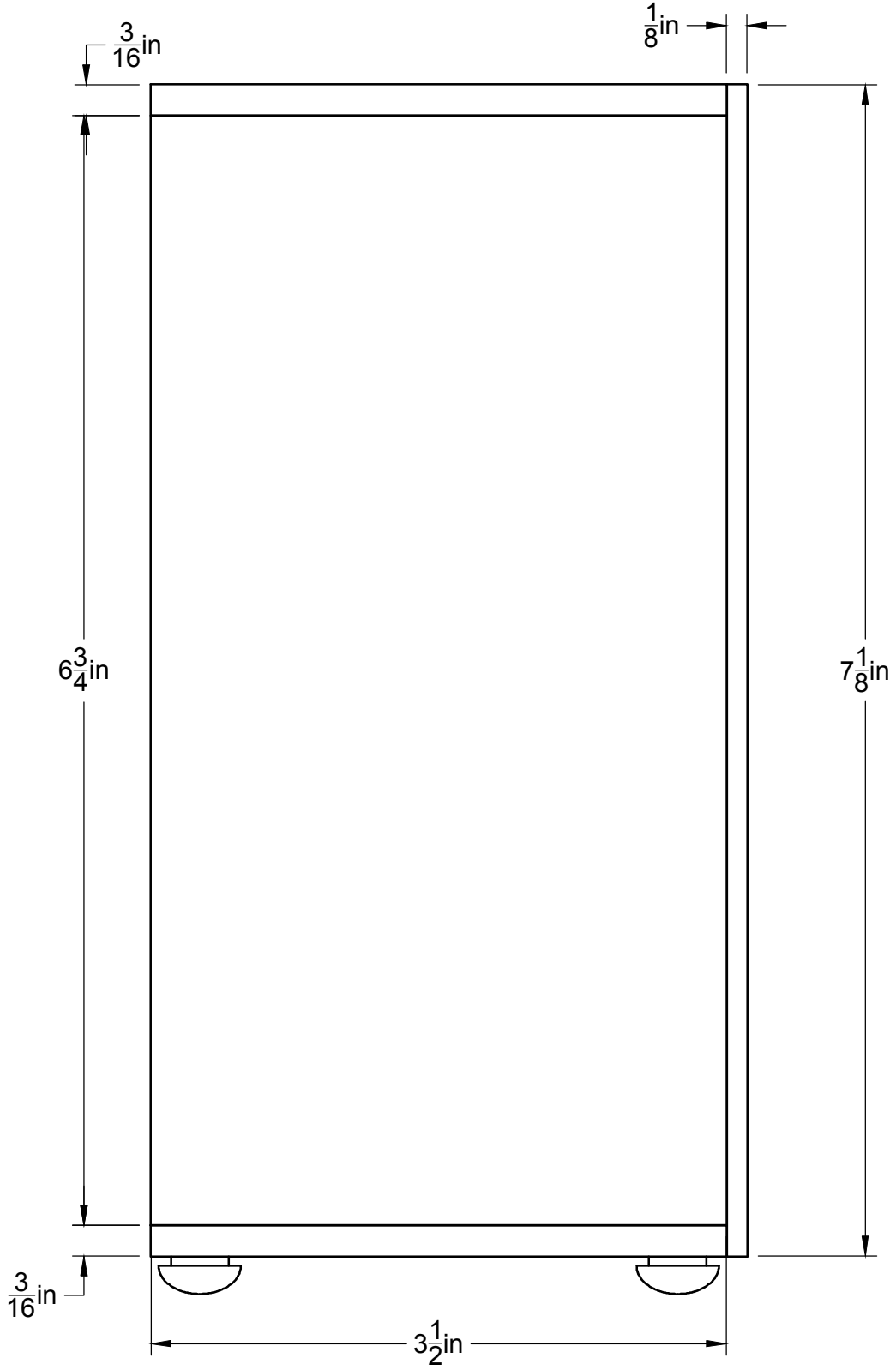
DOLL THREE DRAWER CHEST

FRONT VIEW



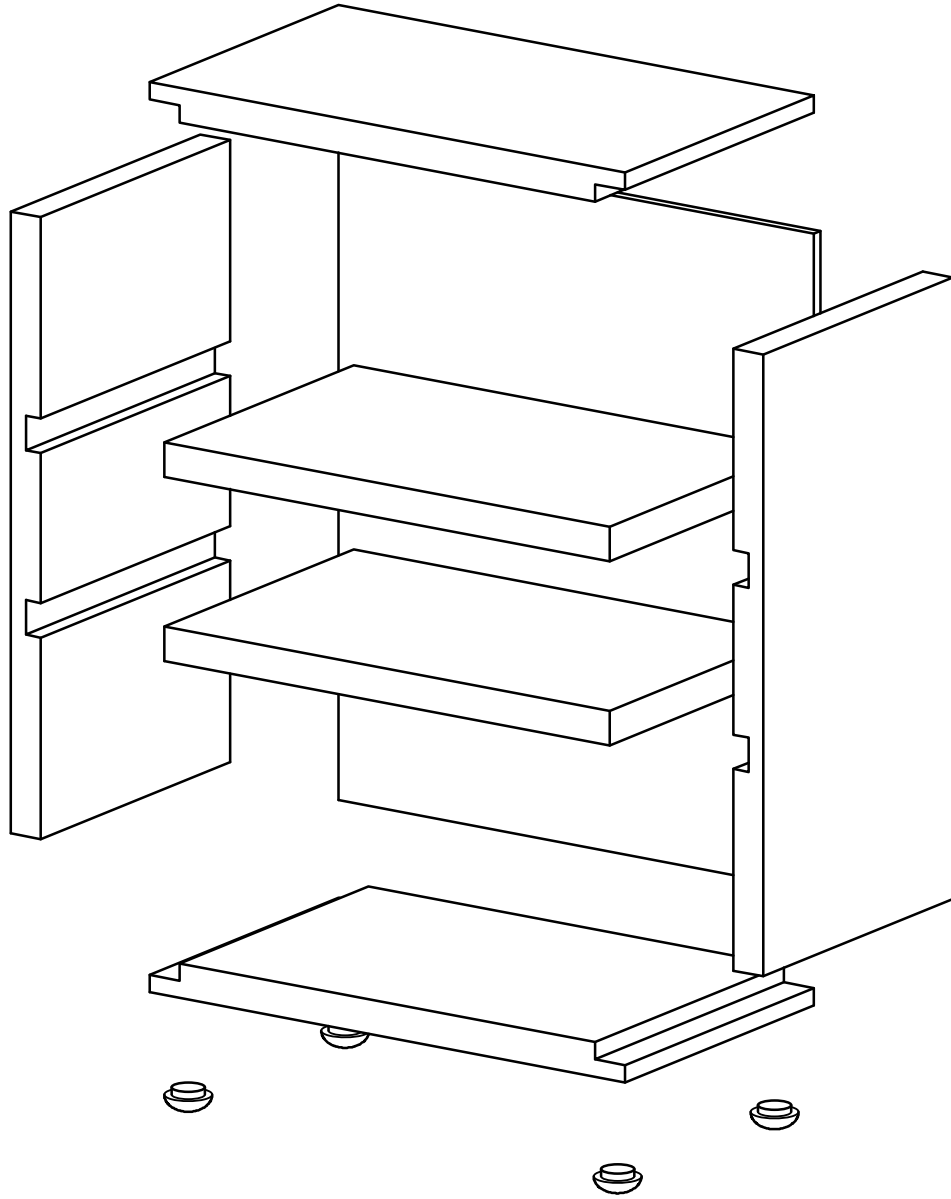
DOLL THREE DRAWER CHEST

SIDE VIEW



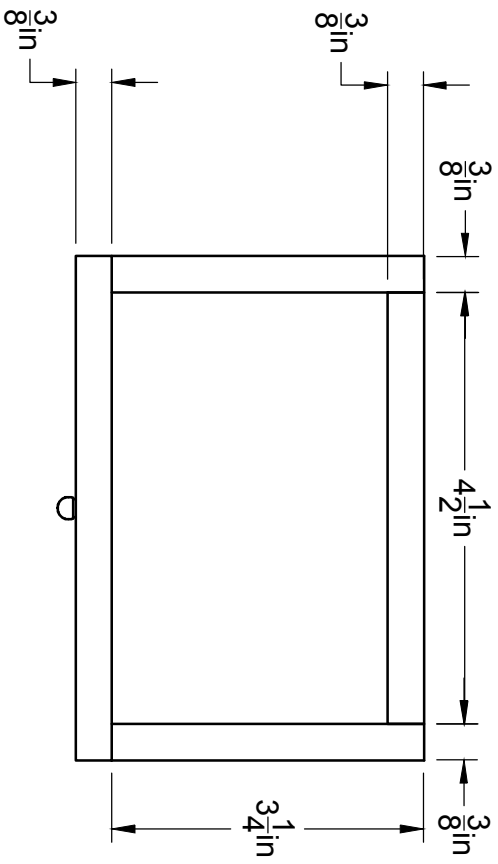
DOLL THREE DRAWER CHEST

EXPLODED VIEW

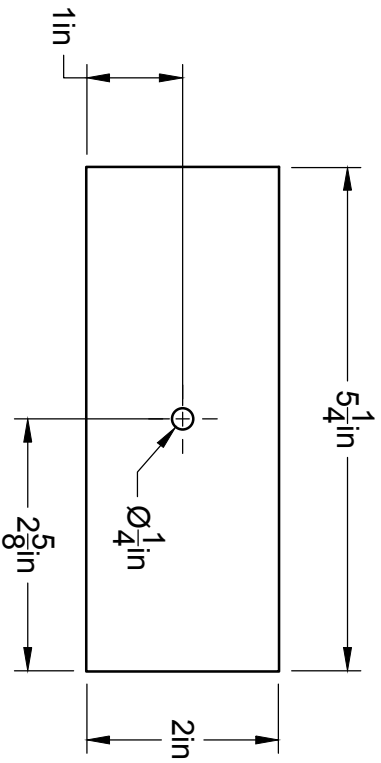


THREE DRAWER CABINET, DRAWER (TOP AND BOTTOM)

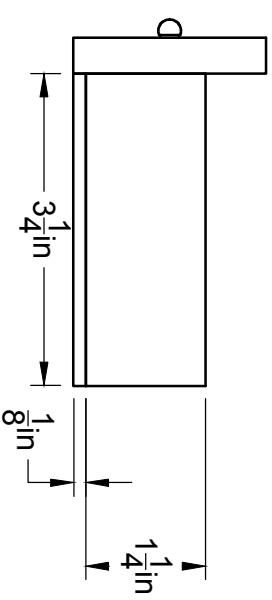
TOP VIEW



FRONT VIEW

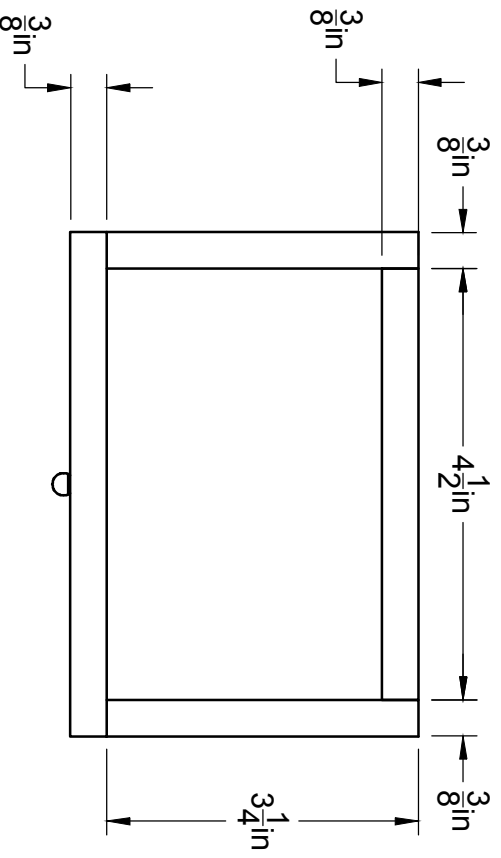


SIDE VIEW

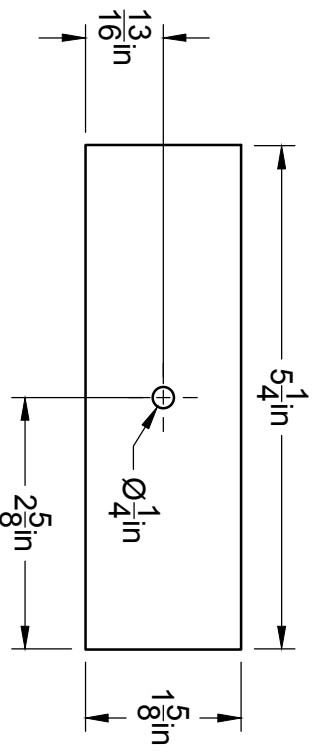


THREE DRAWER CABINET, DRAWER (MIDDLE)

TOP VIEW



FRONT VIEW



SIDE VIEW

