

Doll Furniture Lamps



Lamp Notes:

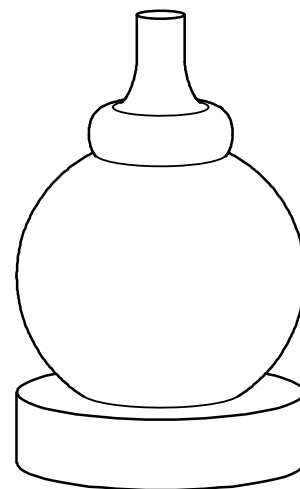
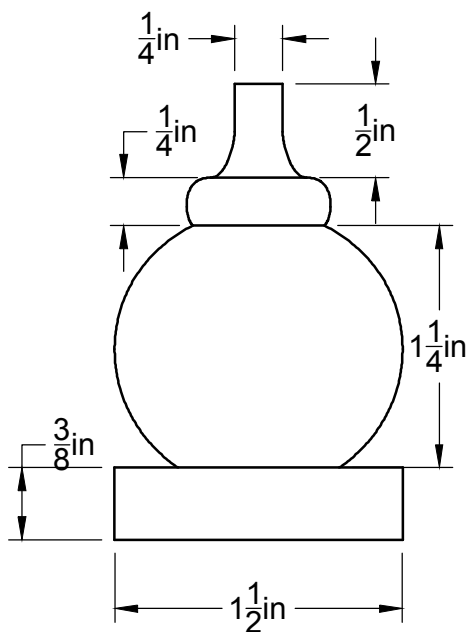
The lamp plans are meant to be turned on a lathe. The plans show the base and the shade as two pieces. You could turn them as one piece if you like. You can make all kinds of modifications to the shape of the base.

Errors:

Every effort has been made to avoid errors in these plans. Still, sometimes mistakes occur. If you find errors in these plans, please notify the toy chairman so that corrections can be made and the next person spared having to deal with that problem. Thanks.

DOLL LAMP ONE BASE

FRONT VIEW



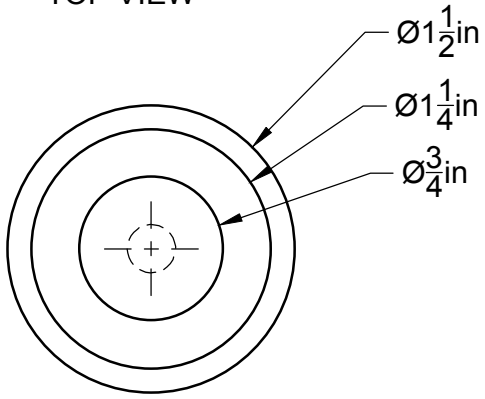
Note:

This base is intended to be turned on a lathe.

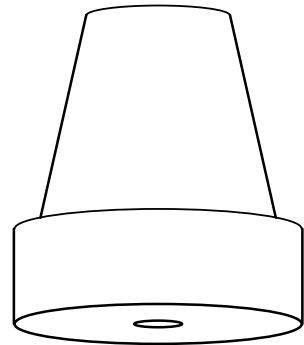
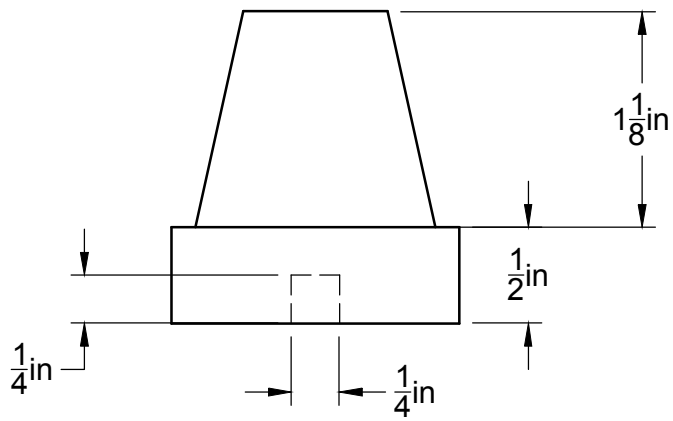
Most of these dimensions can be altered. The top of the lamp base needs to be $\frac{1}{4}$ " to fit in the hole in the bottom of the shade. The other dimensions are suitable sizes to go with the shade.

DOLL LAMP ONE SHADE

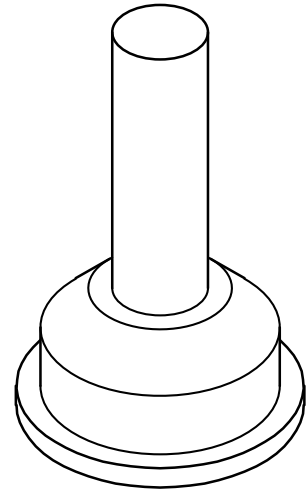
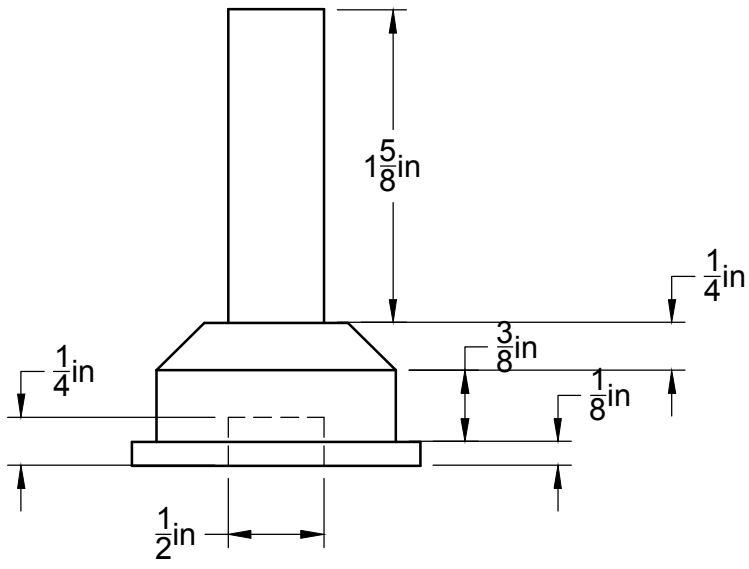
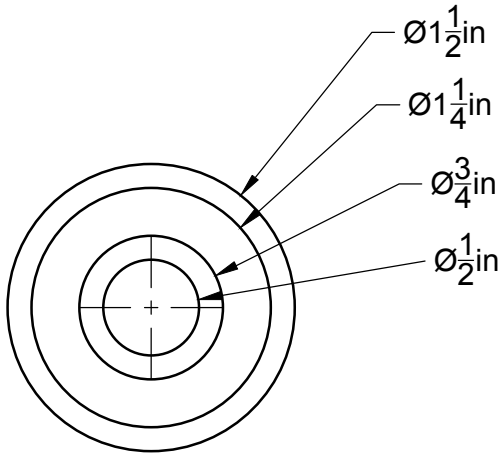
TOP VIEW



FRONT VIEW



DOLL LAMP TWO BASE



DOLL LAMP TWO SHADE

